

4

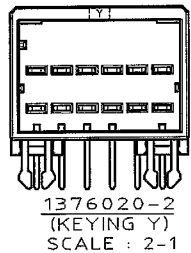
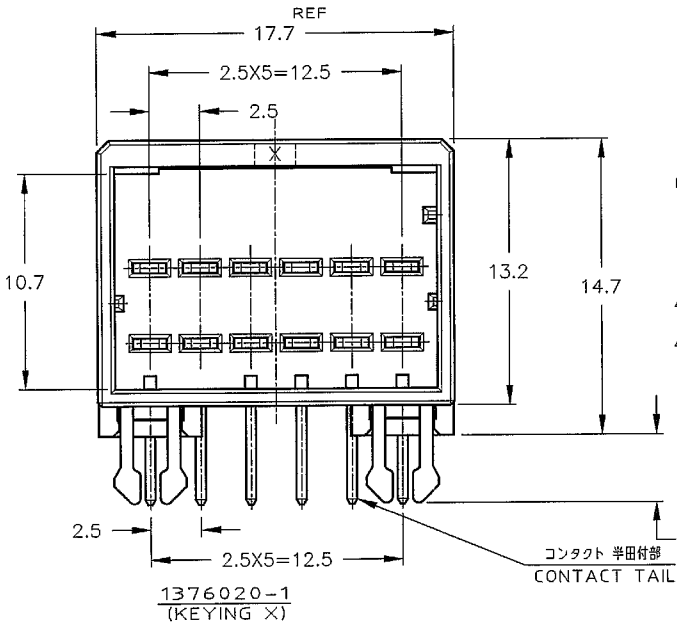
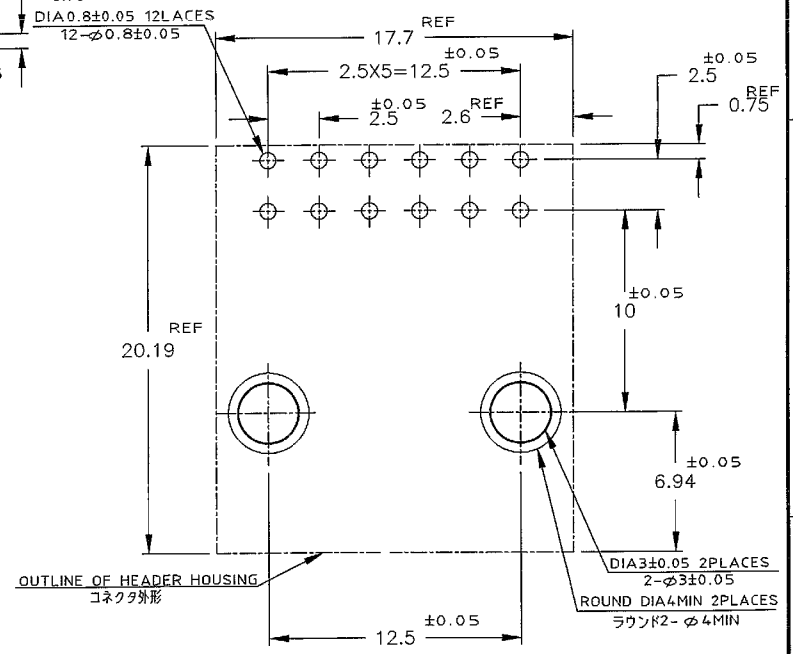
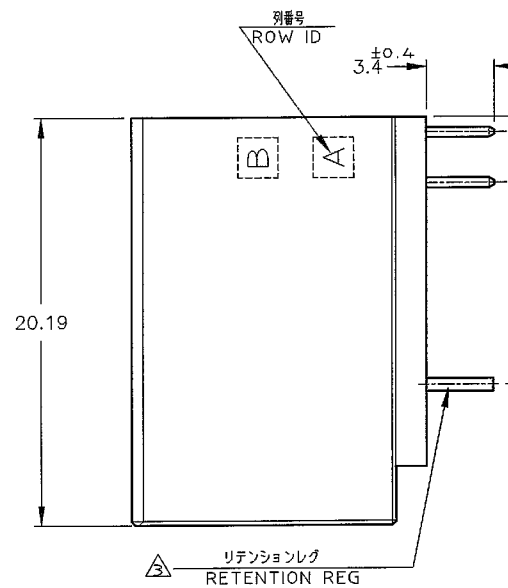
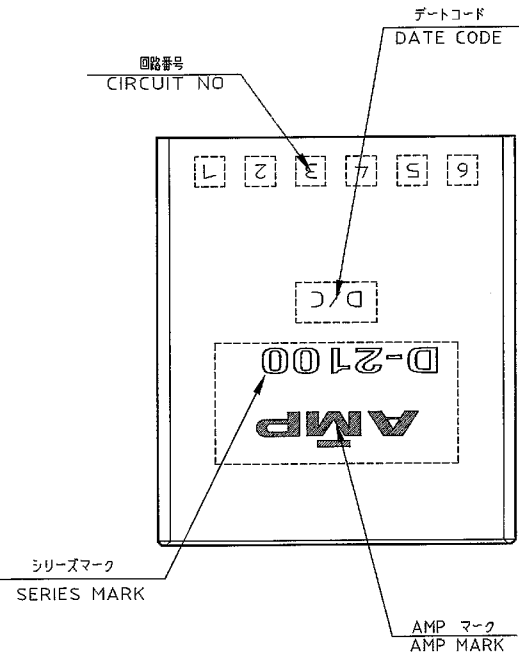
3

2

1

THIS DRAWING IS UNPUBLISHED. RELEASED FOR PUBLICATION 1998
 © COPYRIGHT 1998 BY AMP INCORPORATED. ALL RIGHTS RESERVED.

LOC		DIST		REVISIONS					
J		ZDI		REV	DESCRIPTION	ECN	DATE	DWN	APVD
				0	RELEASED	FJ00-1755-99	28FEB'00	K.I.	I.H.
				A	REVISED	FJ00-1080-00	21SEP'00	Y.K.	S.M.
				B	REVISED	FJD0-0039-03	6/2/03	T.S.	S.Y.



NOTES

- MATERIAL: HOUSING: GLASS FILLED THERMO PLASTIC, POLYESTER (94V-0), COLOR: BLACK
 TAB CONTACT: COPPER ALLOY
 RETENTION LEG: BRASS
- FINISH (CONTACT AREA): 0.38μm MIN GOLD PLATING OVER NI PLATING
- FINISH (RETENTION LEG): TIN PLATED (CONTACT TAIL) OVER NICKEL

注記

- 材料: ハウジング: ガラス入り熱可塑性ポリエステル樹脂 (94V-0), 色: 黒
 タブコンタクト: 銅合金
 リテンションレグ: 黄銅
- めっき: コンタクト: 全面Ni下地 接触部: 0.38μm MIN金めっき
- めっき: リテンションレグとコンタクト半田付部: ニッケル下地のニッケルめっき

THIS DRAWING IS A CONTROLLED DOCUMENT FOR AMP INCORPORATED. IT IS SUBJECT TO CHANGE AND THE CONTROLLING ENGINEERING ORGANIZATION SHOULD BE CONTACTED FOR THE LATEST REVISION.		CHK K.IKEDA 28/FEB/'00	24/FEB/'00	 Tyco Electronics AMP K.K. Kawasaki, Japan
DIMENSIONS: 単位: mm		APVD Y.KATO 28/FEB/'00	NAME I.HASEGAWA	
TOLERANCES UNLESS OTHERWISE SPECIFIED		PRODUCT SPEC 108-5619		2列 ヘッダーアセンブリー 12P (水平タイプ) DOUBLE ROW HEADER ASS'Y 12P ("H" TYPE) <DYNAMIC D-2100D>
一般部: ±0.3 3φ: >10: ±0.35 10φ: >30: ±0.4 ANGLE: ±3°		APPLICATION SPEC 114-5258		
MATERIAL 注記参照 SEE NOTES	FINISH 注記参照 SEE NOTES	WEIGHT T1	SIZE A3	CAGE CODE 00779
CUSTOMER DRAWING			DRAWING NO 1376020	RESTRICTED TO -
			SCALE 4-1	SHEET 1